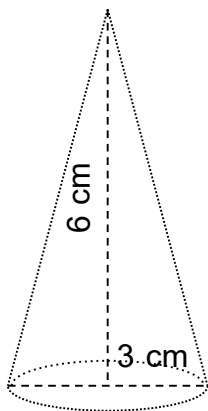


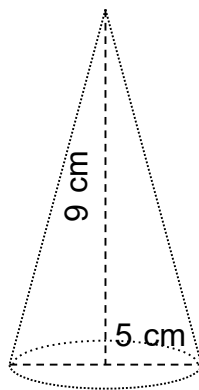
Find the surface area.

1.



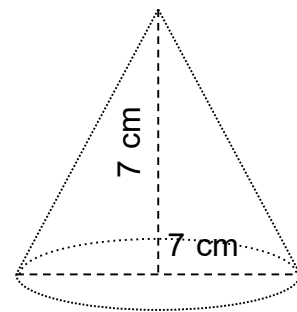
$$SA = 36 \text{ cm}^2$$

2.



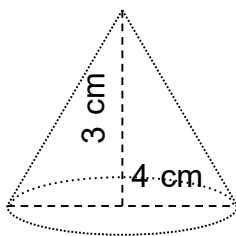
$$SA = 93 \text{ cm}^2$$

3.



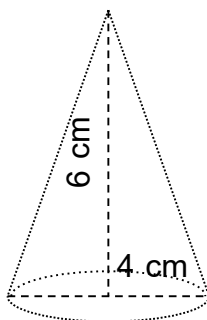
$$SA = 125 \text{ cm}^2$$

4.



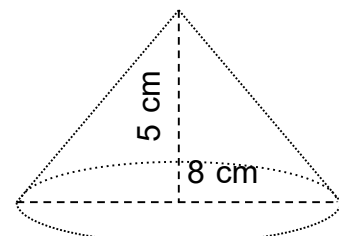
$$SA = 35 \text{ cm}^2$$

5.



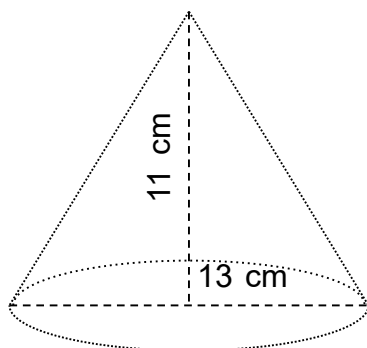
$$SA = 52 \text{ cm}^2$$

6.



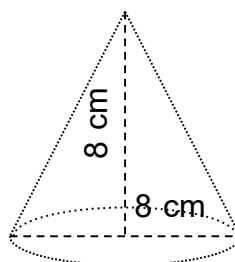
$$SA = 131 \text{ cm}^2$$

7.



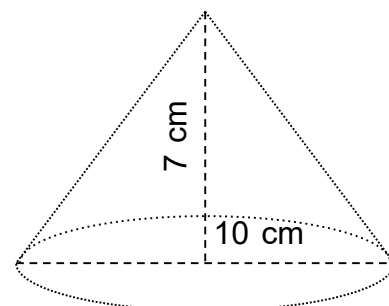
$$SA = 394 \text{ cm}^2$$

8.



$$SA = 163 \text{ cm}^2$$

9.



$$SA = 214 \text{ cm}^2$$